

TESA-CAL IP67 SWISS MADE



IP67

IP65

AT THE TOP
OF TECHNOLOGY

IP54

IP40

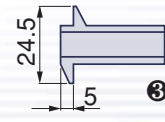
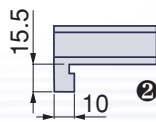
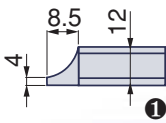
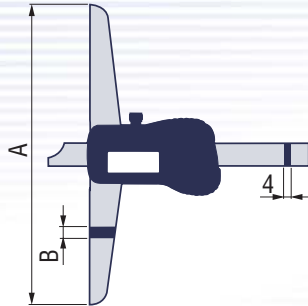
ISO 9001



TESA IP67 Depth Calipers



DIN 862
(Style CZ)



Models with short cut measuring faces or fixed jaws



TESA mm in A mm B mm

Models 1 with one short cut measuring face

00530241 0 +200 0 +8 100 8

00530242 0 +250 0 +10 100 8

00530243 0 +300 0 +12 150 8

00530244 0 +500 0 +20 150 8

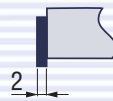
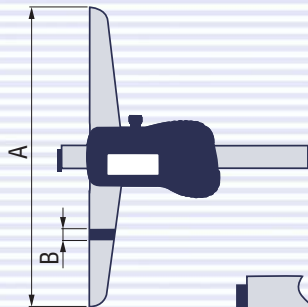
Models 2 with one fixed measuring jaw

00530245 0 +300 0 +12 150 8

00530246 0 +500 0 +20 150 8

Model 3 with two fixed measuring jaws

00530247 0 +300 0 +12 150 8



Models with rotary stop



TESA mm in A mm B mm

00530248 0 +250 0 +10 150 8

00530249 0 +350 0 +14 150 8

00530250 0 +500 0 +20 150 8

Optional Accessories

01961000 3V Lithium battery, 190 mAh, type CR2032

04761046 RS232 opto-coupled cable, monodirectional

04761049 RS232 opto-coupled cable, bidirectional



Factory standard



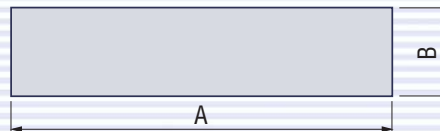
Suited plastic case



Identification number



Declaration of conformity



Removable bridges for all models



TESA		A mm	B mm	C mm	mm
00530103	Removable bridge	200	10	8	±0.005
00530104	Removable bridge	300	16	8	±0.005
00530105	Removable bridge	400	16	8	±0.005

Clamp device usually supplied with each removable bridge

TESA IP67 Electronic Calipers

 DIN 862
(Style 1AZ)



 DIN 862
(See table)

 See table

 0,01 mm
0.0005 in

 LCD, 7 mm

 Floating zero

 Display lock

 mm / in
conversion

 Max. perm error


 Steel scale
with incremental
magnetic divisions

 > 1,8 m / s

 RS 232 opto-coupled,
monodirectional
and bidirectional

 Hardened stainless
steel

 3V Lithium-battery,
CR 2032

 ≈ 1,5 a (≈ 2000 h/a)

 Idle mode
after 10 min,
automatic switch-
off after 2h


 10 ° to 40 °C

 -10 °C to 60 °C

 100%

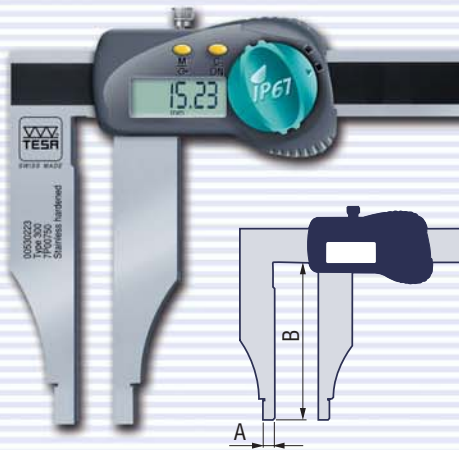
 Protection IP67
(IEC 60529)

 EN 50081-1
EN 50082-1

 Wooden case
and suited plastic
case
according to type

 Identification
number

 Inspection report
with a declaration
of conformity

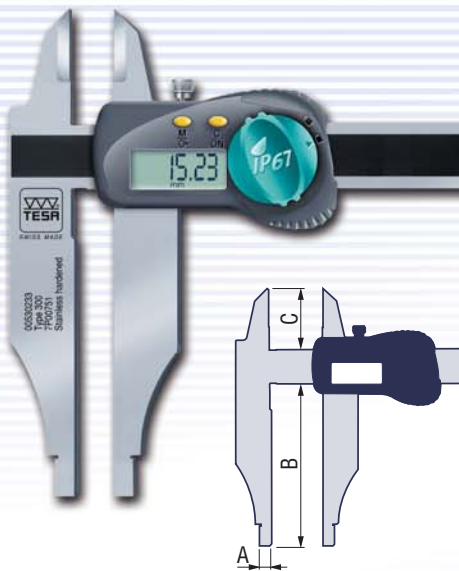


Models with rounded measuring faces for internal dimensions



TESA	mm	in	A mm	B mm
00530221	0 ÷ 200	0 ÷ 8	5	80
00530222	0 ÷ 250	0 ÷ 10	5	80
00530223	0 ÷ 300	0 ÷ 12	5	90
00530224	0 ÷ 500	0 ÷ 20	10	150
00530225	0 ÷ 600	0 ÷ 24	10	150
00530226	0 ÷ 800	0 ÷ 32	10	150
00530227	0 ÷ 1000	0 ÷ 39	10	150

 DIN 862
(Style 1AZ)

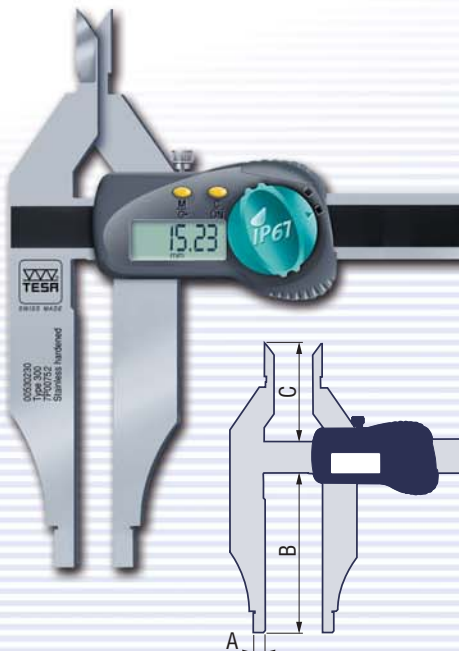


Models with rounded measuring faces for internal dimensions and knife-edge measuring jaws



TESA	mm	in	A mm	B mm	C mm
00530231	0 ÷ 200	0 ÷ 8	5	80	30
00530232	0 ÷ 250	0 ÷ 10	5	80	37
00530233	0 ÷ 300	0 ÷ 12	5	90	37
00530234	0 ÷ 500	0 ÷ 20	10	150	60
00530235	0 ÷ 600	0 ÷ 24	10	150	60
00530236	0 ÷ 800	0 ÷ 32	10	150	56
00530237	0 ÷ 1000	0 ÷ 39	10	150	56

 DIN 862
(Style 1AZ)



Models with rounded measuring faces for internal dimensions and knife-edge measuring jaws for external dimensions



TESA	mm	in	A mm	B mm	C mm
00530230	0 ÷ 250	0 ÷ 10	5	80	54

Optional Accessory

01961000	3V lithium battery, 190 mAh, type CR2032
04761046	RS232 opto-coupled cable, monodirectional
04761049	RS232 opto-coupled cable, bidirectional



✓



DIN 862
(See table)



See table



0,01 mm
0.0005 in



LCD, 7 mm



Floating zero



Display lock



mm / in
conversion



Max. perm error



Steel scale
with incremental
magnetic divisions



> 1,8 m / s



RS 232 opto-coupled,
mono-directional
and bidirectional



Hardened stainless
steel



3V Lithium-battery,
CR 2032



≈1,5 a (≈2000 h/a)



Idle mode
after 10 min,
automatic switch-
off after 2h



10 ° to 40 °C



-10 °C to 60 °C



100%



Protection IP67
(IEC 60529)



EN 50081-1
EN 50082-1



Wooden case
and suited plastic
case
according to type



Identification
number

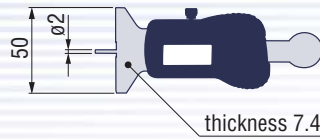


Inspection report
with a declaration
of conformity

TESA IP67 Depth Calipers



DIN 862
(Style CZ)



Small-sized caliper with measuring tip



TESA
00530251

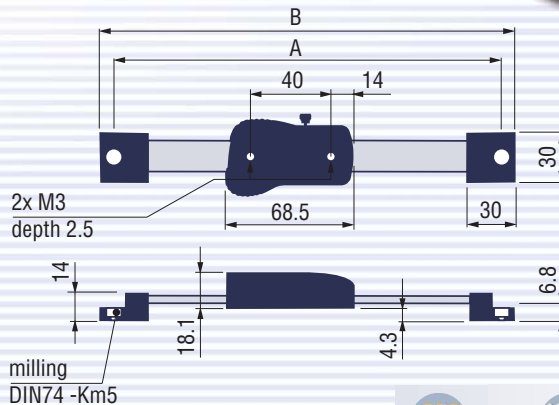


mm
0 ±25

in
0 ±1

TESA IP67 Horizontal Scale Units

Let you measure and position any assembly on fixtures, setting devices for tooling, machines and much more. Flexible mounting for use in any position.



Factory standard



TESA
00530271
00530272
00530273
00530274
00530275



mm

in



A mm

B mm

0 ±150	0 ±6	265	278
0 ±200	0 ±8	315	328
0 ±300	0 ±12	415	428
0 ±600	0 ±24	725	738
0 ±1000	0 ±40	1135	1148

Optional Accessories

01961000	3V Lithium battery, 190 mAh, type CR2032
04761046	RS232 opto-coupled cable, monodirectional
04761049	RS232 opto-coupled cable, bidirectional



TESA SA

Bugnon 38 • CH-1020 Renens

Tél +41 21 633 16 00 • Fax +41 21 635 17 57

www.tesabs.ch • ventesuisse@ch.bnsmc.com