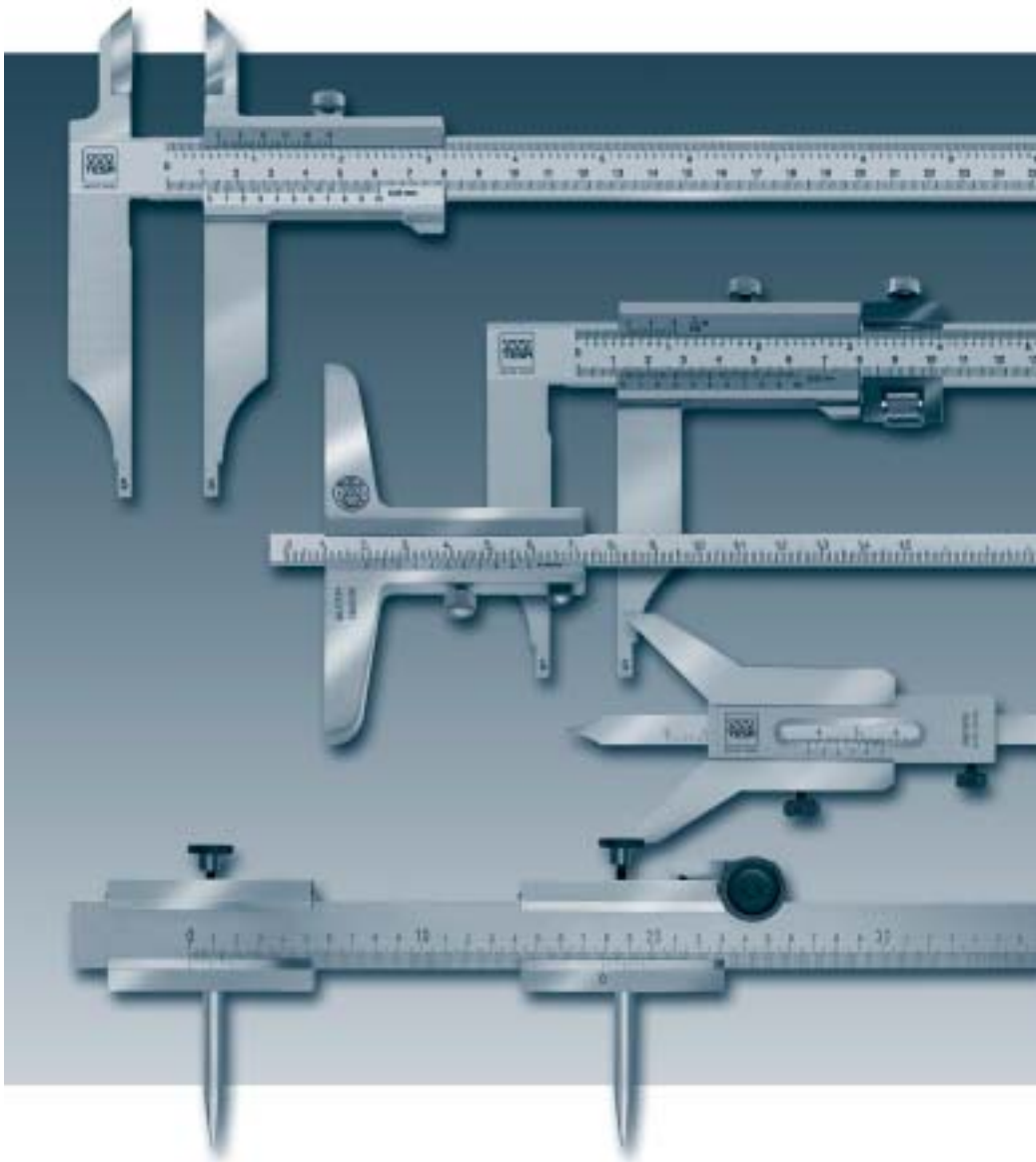


# TESA VERNIER CALIPERS



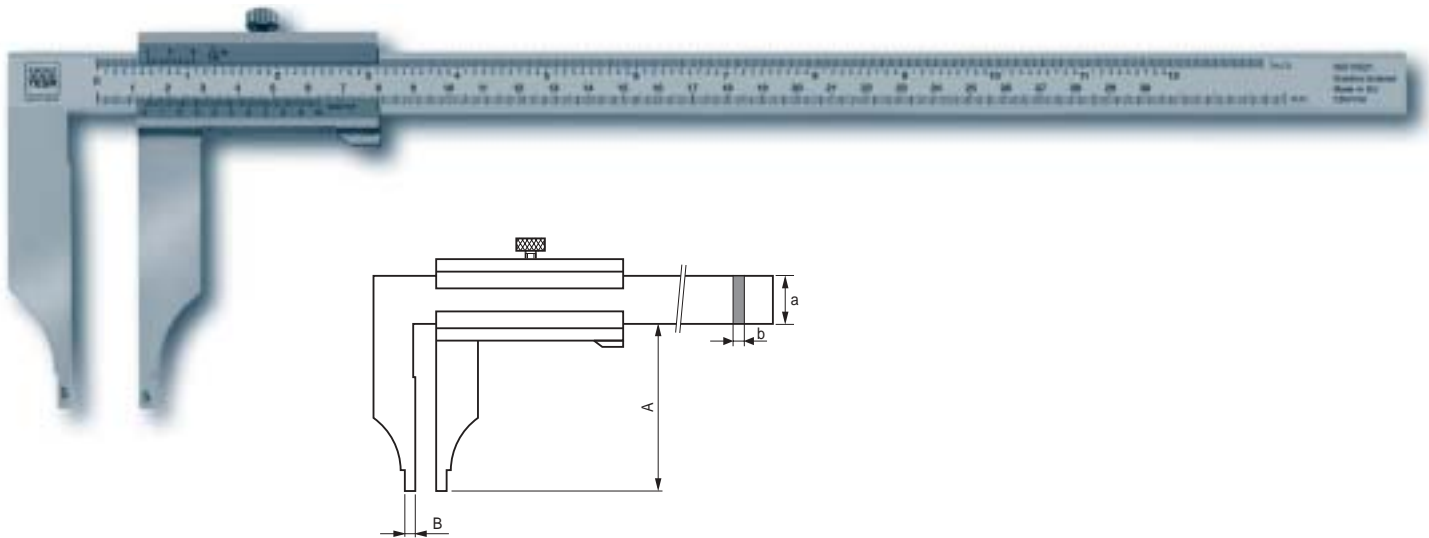
ISO 9001  
*in* PRODUCT  
PRODUCT  
PRODUCT



# TESA VERNIER CALIPERS

- Swiss Made
- According to both DIN 862 (Style EN-2) and NF E 11-091
- Satin-chrome scale background. Main scale slightly set back for wear protection.
- Made from hardened stainless steel
- Supplied in a suited plastic case (up to 500 mm) or a wooden case (over 500 mm)
- Provided with a serial number
- Also with inspection report including a declaration of conformity

**Models with rounded measuring faces for internal measurement. Without fine setting.**



Lengths (l) mm	0,1 and 0,05 mm		0,02 mm
	μm	μm	
50			
100	50	20	
150			
300	50		
400	60	30	
500	70		
600	80		
700	90		
800	100		
900	110	40	
1000	120		
1200	140	50	
1400	160		
1600	180		
1800	200	60	
2000	220		

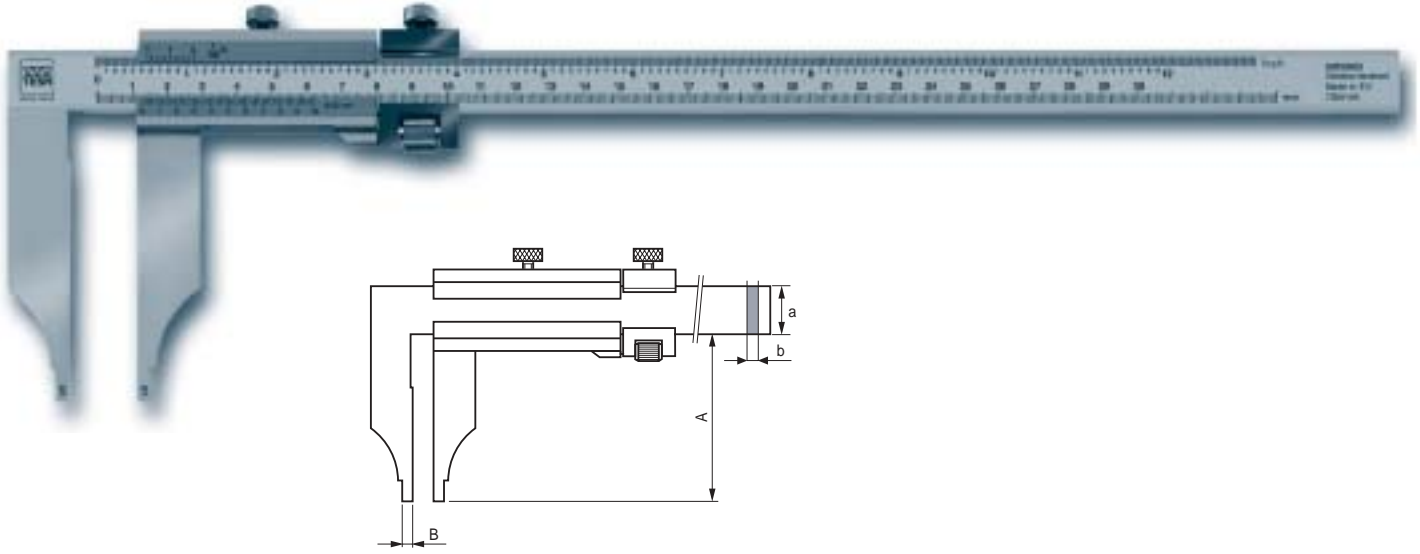
No	mm	mm	in	in	mm			
					a	b	A	B
00510509*	0 ÷ 200	0,02			17	3.5	80	5
00530509	0 ÷ 200	0,02	0 ÷ 8	0.001	17	3.5	80	5
00510506	0 ÷ 200	0,05			17	3.5	80	5
00510511	0 ÷ 250	0,02			20	4	80	5
00510512	0 ÷ 250	0,05			20	4	80	5
00510521	0 ÷ 300	0,02			20	4	90	5
00530521	0 ÷ 300	0,02	0 ÷ 12	0.001	20	4	90	5
00510522	0 ÷ 300	0,05			20	4	90	5
00510531	0 ÷ 400	0,02			24.5	5	125	10
00530531	0 ÷ 400	0,02	0 ÷ 15	0.001	24.5	5	125	10
00510532	0 ÷ 400	0,05			24.5	5	125	10
00510541	0 ÷ 500	0,02			28	6	150	10
00510542	0 ÷ 500	0,05			28	6	150	10
00510551	0 ÷ 600	0,02			28	6	150	10
00510552	0 ÷ 600	0,05			28	6	150	10




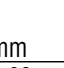

\* Delivered with a stainless steel rule, 200 mm long

# TESA VERNIER CALIPERS



Models with rounded measuring faces for internal measurement. Also with fine setting.



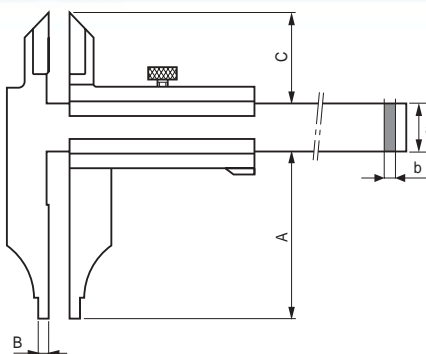
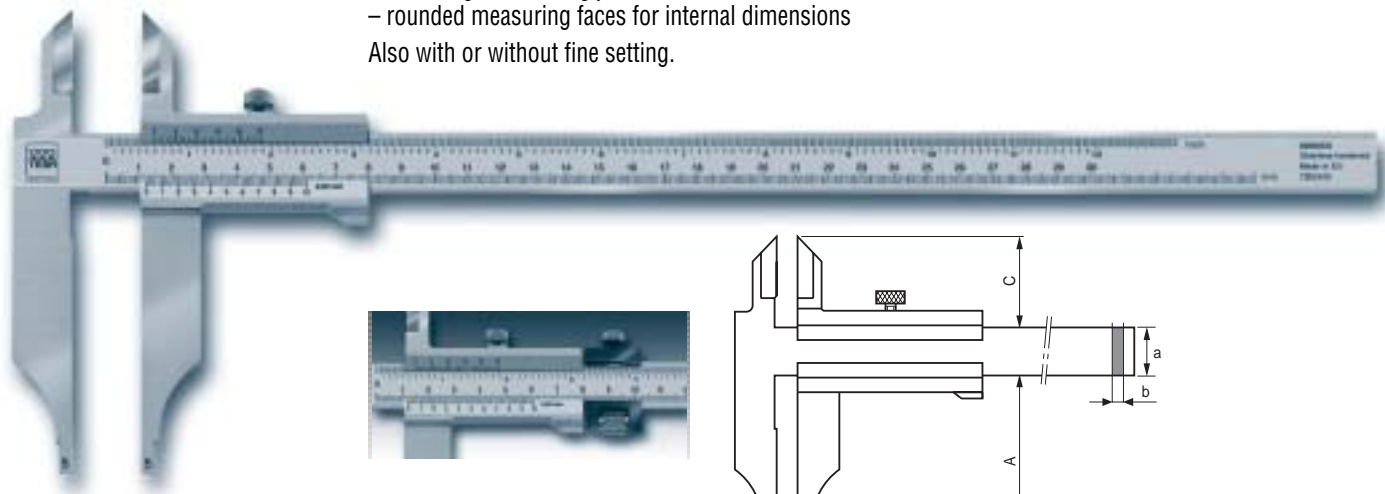
	 mm	 mm	 in	 in	 mm				
					a	b	A	B	
<b>00510601</b>	0 ÷ 200	0,02			17	3,5	80	5	
<b>00530601</b>	0 ÷ 200	0,02	0 ÷ 8	0,001	17	3,5	80	5	
<b>00510602</b>	0 ÷ 200	0,05			17	3,5	80	5	
<b>00510611</b>	0 ÷ 250	0,02			20	4	80	5	
<b>00510612</b>	0 ÷ 250	0,05			20	4	80	5	
<b>00510621</b>	0 ÷ 300	0,02			20	4	90	5	
<b>00530621</b>	0 ÷ 300	0,02	0 ÷ 12	0,001	20	4	90	5	
<b>00510622</b>	0 ÷ 300	0,05			20	4	90	5	
<b>00510631</b>	0 ÷ 400	0,02			24,5	5	125	10	
<b>00530631</b>	0 ÷ 400	0,02	0 ÷ 15	0,001	24,5	5	125	10	
<b>00510632</b>	0 ÷ 400	0,05			24,5	5	125	10	
<b>00510641</b>	0 ÷ 500	0,02			28	6	150	10	
<b>00510642</b>	0 ÷ 500	0,05			28	6	150	10	
<b>00510651</b>	0 ÷ 600	0,02			28	6	150	10	
<b>00510652</b>	0 ÷ 600	0,05			28	6	150	10	
<b>00510661</b>	0 ÷ 800	0,02			32	8	150	10	
<b>00510662</b>	0 ÷ 800	0,05			32	8	150	10	
<b>00510671</b>	0 ÷ 1000	0,02			32	8	150	10	
<b>00510672</b>	0 ÷ 1000	0,05			32	8	150	10	
<b>00510681</b>	0 ÷ 1500	0,02			40	8	300	15	
<b>00510682</b>	0 ÷ 1500	0,05			40	8	300	15	
<b>00510691</b>	0 ÷ 2000	0,02			40	8	300	15	
<b>00510692</b>	0 ÷ 2000	0,05			40	8	300	15	

# TESA VERNIER CALIPERS

## Models with

- knife-edge measuring jaws for external dimensions
- rounded measuring faces for internal dimensions

Also with or without fine setting.



## Models without fine setting

Model	mm		in		mm				
	mm	mm	in	in	a	b	A	B	C
00510701	0 ÷ 200	0,02			17	3,5	80	5	30
00530701	0 ÷ 200	0,02	0 ÷ 8	0.001	17	3,5	80	5	30
00510702	0 ÷ 200	0,05			17	3,5	80	5	30
00510711	0 ÷ 250	0,02			20	4	80	5	38
00510712	0 ÷ 250	0,05			20	4	80	5	38
00510721	0 ÷ 300	0,02			20	4	90	5	38
00530721	0 ÷ 300	0,02	0 ÷ 12	0.001	20	4	90	5	38
00510722	0 ÷ 300	0,05			20	4	90	5	38
00510741	0 ÷ 500	0,02			28	6	150	10	60
00530741	0 ÷ 500	0,02	0 ÷ 20	0.001	28	6	150	10	60
00510742	0 ÷ 500	0,05			28	6	150	10	60
00510751	0 ÷ 600	0,02			28	6	150	10	60
00510752	0 ÷ 600	0,05			28	6	150	10	60

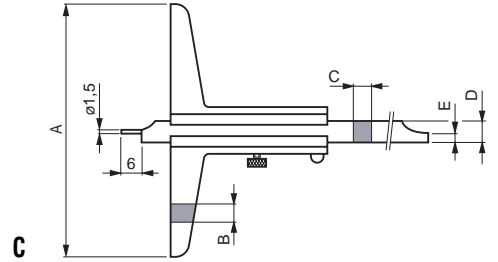
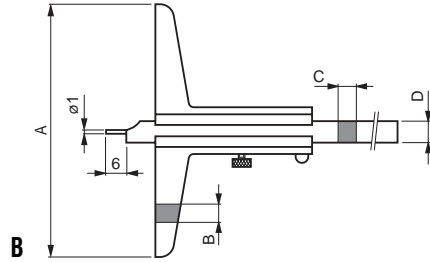
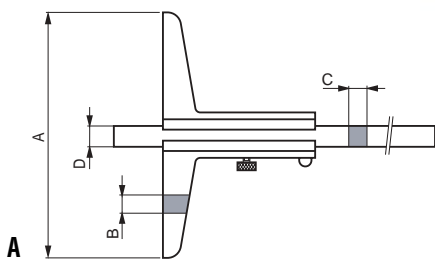
## Models with fine setting

Model	mm		in		mm				
	mm	mm	in	in	a	b	A	B	C
00510801	0 ÷ 200	0,02			17	3,5	80	5	30
00530801	0 ÷ 200	0,02	0 ÷ 7	0.001	17	3,5	80	5	30
00510802	0 ÷ 200	0,05			17	3,5	80	5	30
00510811	0 ÷ 250	0,02			20	4	80	5	38
00510812	0 ÷ 250	0,05			20	4	80	5	38
00510821	0 ÷ 300	0,02			20	4	90	5	38
00530821	0 ÷ 300	0,02	0 ÷ 11	0.001	20	4	90	5	38
00510822	0 ÷ 300	0,05			20	4	90	5	38
00510841	0 ÷ 500	0,02			28	6	150	10	60
00530841	0 ÷ 500	0,02	0 ÷ 20	0.001	28	6	150	10	60
00510842	0 ÷ 500	0,05			28	6	150	10	60
00510851	0 ÷ 600	0,02			28	6	150	10	60
00510852	0 ÷ 600	0,05			28	6	150	10	60
00510861	0 ÷ 800	0,02			32	8	150	10	56
00510862	0 ÷ 800	0,05			32	8	150	10	56
00510871	0 ÷ 1000	0,02			32	8	150	10	56
00510872	0 ÷ 1000	0,05			32	8	150	10	56

# TESA VERNIER CALIPERS



## Models for depth measurements



### A – Models with removable bridge (optional)

mm	mm	mm	mm			
			A	B	C	D
0 ÷ 150	0,02	0,05	100	7,5	3	8
00510133						
0 ÷ 150	0,05		100	7,5	3	8
00510134						
0 ÷ 250	0,02		100	7,5	3	8
00510143						
0 ÷ 250	0,05		100	7,5	3	8
00510144						
0 ÷ 500	0,02		100	8,5	4	12
00510163						
0 ÷ 500	0,05		100	8,5	4	12
00510164						
0 ÷ 600	0,02		150	8,5	4	12
00510173						
0 ÷ 600	0,05		150	8,5	4	12
00510174						

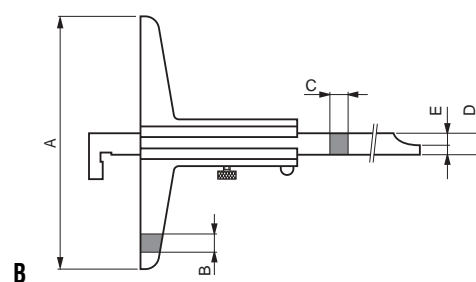
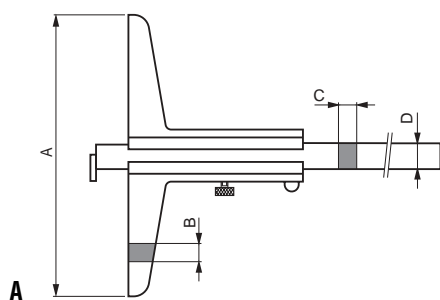
### B – Models with steel tip. Also with removable bridge (optional).

mm	mm	mm	mm			
			A	B	C	D
0 ÷ 80	0,02		50	7,5	3	8
00510111						
0 ÷ 80	0,05		50	7,5	3	8
00510112						

### C – Convertible models with both a short cut measuring face and steel tip. Also with removable bridge (optional).

mm	mm	mm	mm				
			A	B	C	D	E
0 ÷ 150	0,02		100	7,5	3	8	3,5
00510123							
0 ÷ 150	0,05		100	7,5	3	8	3,5
00510124							
0 ÷ 250	0,02		100	7,5	3	8	4
00510125							
0 ÷ 250	0,05		100	7,5	3	8	4
00510126							

# TESA VERNIER CALIPERS



A – Models with rotary stop plate and removable bridge (optional)

	mm	mm	mm	A	B	C	D
<b>00510202</b>	0 ÷ 150	0,02		130	8,5	4	12
<b>00510201</b>	0 ÷ 150	0,05		130	8,5	4	12
<b>00510212</b>	0 ÷ 250	0,02		130	8,5	4	12
<b>00510211</b>	0 ÷ 250	0,05		130	8,5	4	12
<b>00510222</b>	0 ÷ 500	0,02		130	8,5	4	12
<b>00510221</b>	0 ÷ 500	0,05		130	8,5	4	12

B – Convertible models with both a fixed jaw and short cut measuring face. Removable bridge (optional).

	mm	mm	mm	A	B	C	D	E
<b>00510175</b>	0 ÷ 150	0,02		100	7,5	3	8	3,5
<b>00510176</b>	0 ÷ 150	0,05		100	7,5	3	8	3,5
<b>00510177</b>	0 ÷ 250	0,02		130	8,5	4	12	4
<b>00510178</b>	0 ÷ 250	0,05		130	8,5	4	12	4
<b>00510179</b>	0 ÷ 300	0,02		150	8,5	4	12	4
<b>00510180</b>	0 ÷ 300	0,05		150	8,5	4	12	4
<b>00510181</b>	0 ÷ 500	0,02		150	8,5	4	12	4
<b>00510182</b>	0 ÷ 500	0,05		150	8,5	4	12	4

Optional accessories

			Length	Height	mm
<b>00560001</b>		Removable bridge	200	10	± 0,005
<b>00560002</b>		Removable bridge	400	16	± 0,005

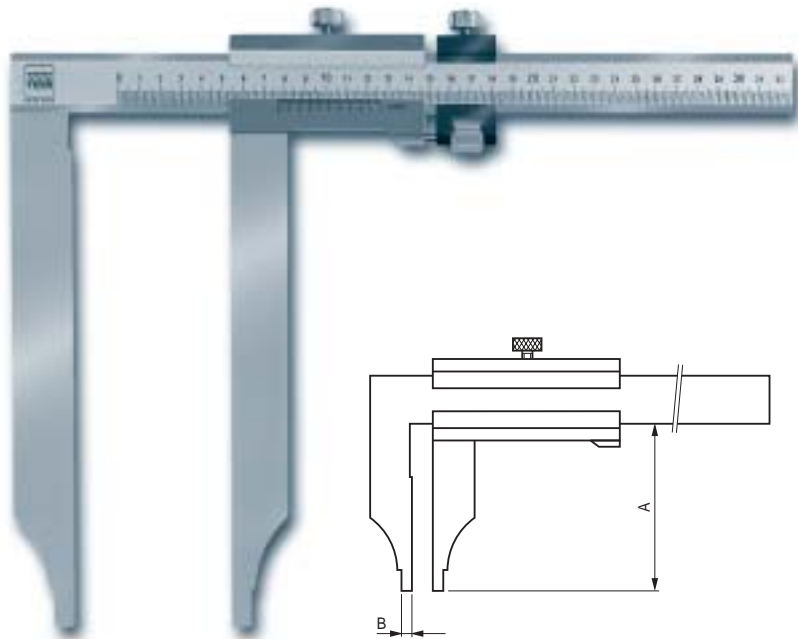
TESA clamping system can be purchased together with the removable bridge





# TESA VERNIER CALIPERS



## Models with extra long jaws

- Swiss Made
- According to factory standard
- Satin-chrome scale background. Main scale slightly set back for wear protection.
- Made from hardened stainless steel
- Rounded measuring faces for internal dimensions
- Fine asetting
- Supplied in a wooden case
- Provided with a serial number
- Also with a declaration of conformity

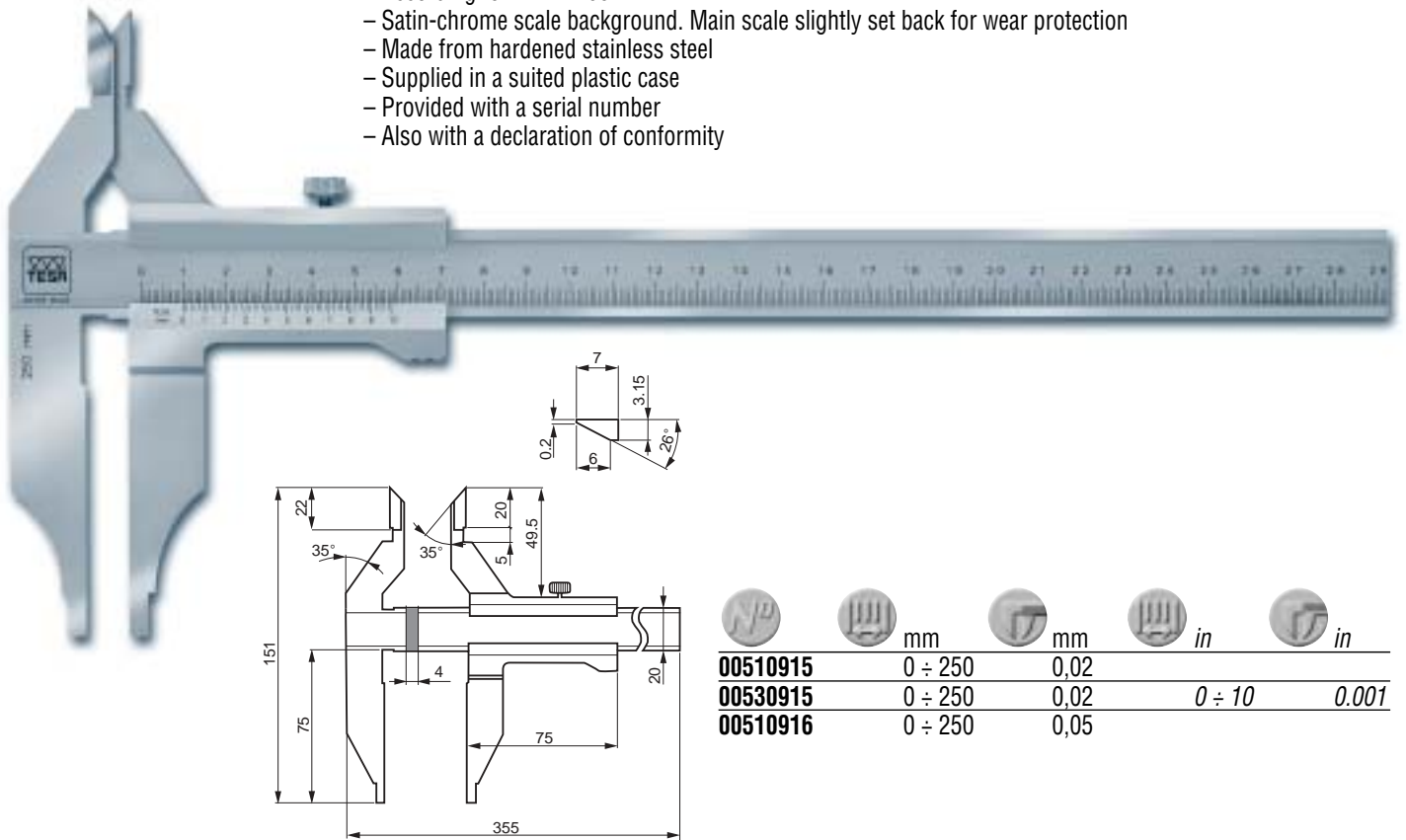


	 mm	 mm	 mm	 mm			
				a	b	A	B
<b>00510921</b>	0 ÷ 500	0,02		28	6	250	10
<b>00510922</b>	0 ÷ 500	0,05		28	6	250	10
<b>00510931</b>	0 ÷ 800	0,02		32	8	300	10
<b>00510932</b>	0 ÷ 800	0,05		32	8	300	10
<b>00510941</b>	0 ÷ 1000	0,02		32	8	300	10
<b>00510942</b>	0 ÷ 1000	0,05		32	8	300	10

# TESA VERNIER CALIPERS

## Models with knife-edge jaws for internal dimensions

- Swiss Made
- According to NF E 11-091
- Satin-chrome scale background. Main scale slightly set back for wear protection
- Made from hardened stainless steel
- Supplied in a suited plastic case
- Provided with a serial number
- Also with a declaration of conformity

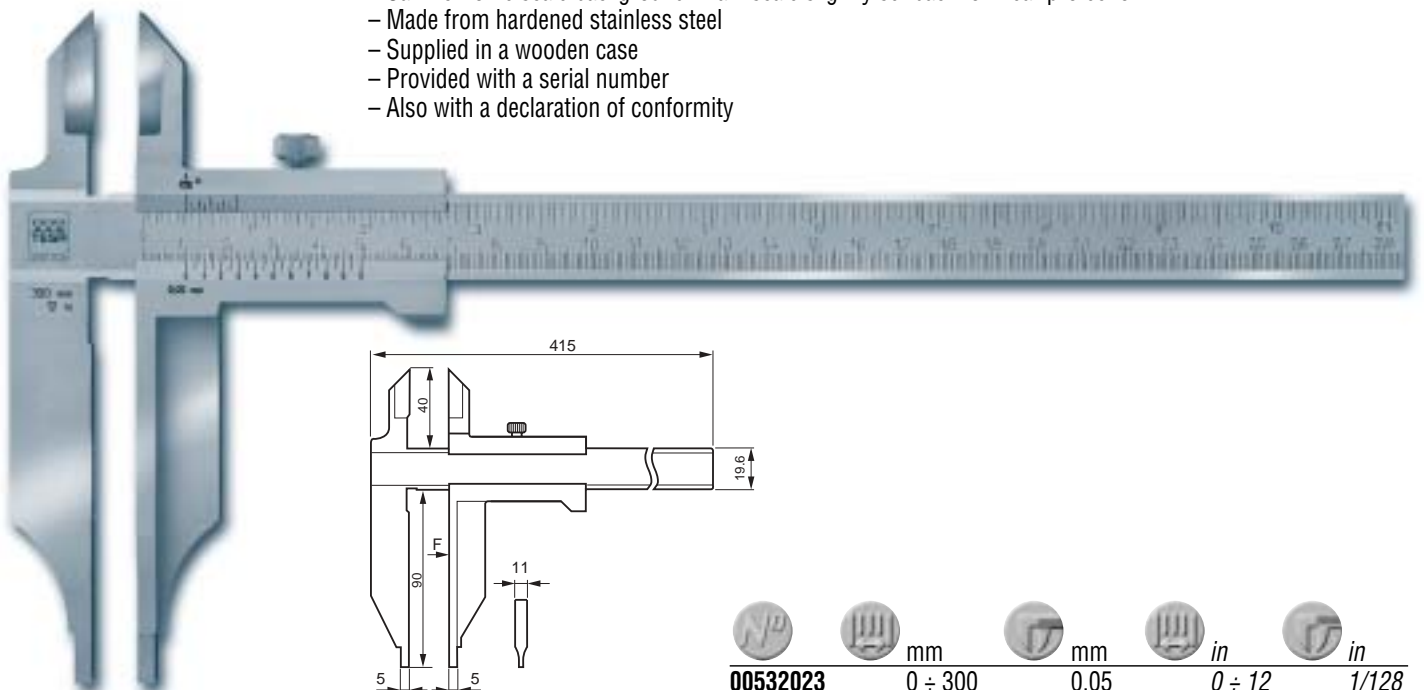


	mm	mm	in	in
<b>00510915</b>	0 ÷ 250	0,02		
<b>00530915</b>	0 ÷ 250	0,02	0 ÷ 10	0.001
<b>00510916</b>	0 ÷ 250	0,05		

## Models for scribing

Feature a thick mobile jaw that serves as resting surface for scribing job. Graduated beam on back for depth measurement without vernier reading.

- Swiss Made
- According to NF E 11-091
- Satin-chrome scale background. Main scale slightly set back for wear protection
- Made from hardened stainless steel
- Supplied in a wooden case
- Provided with a serial number
- Also with a declaration of conformity



	mm	mm	in	in
<b>00532023</b>	0 ÷ 300	0,05	0 ÷ 12	1/128

# TESA VERNIERS CALIPERS

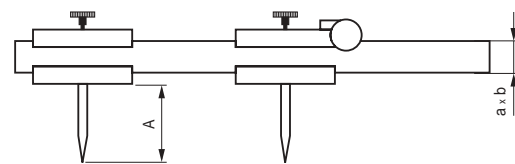


## Models for scribing

- Swiss Made
- According to factory standard
- Steel tip scriber, hardened
- Shipping packaging
- Provided with identification number
- Also with a declaration of conformity



		mm		mm
<b>00512021</b>		0 ÷ 300		0,1



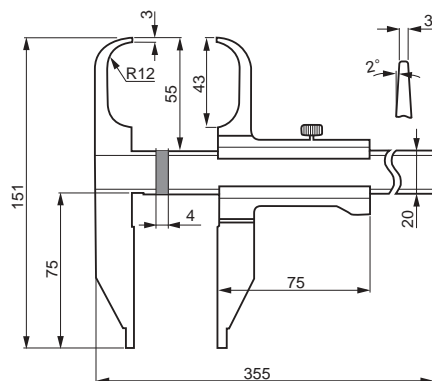
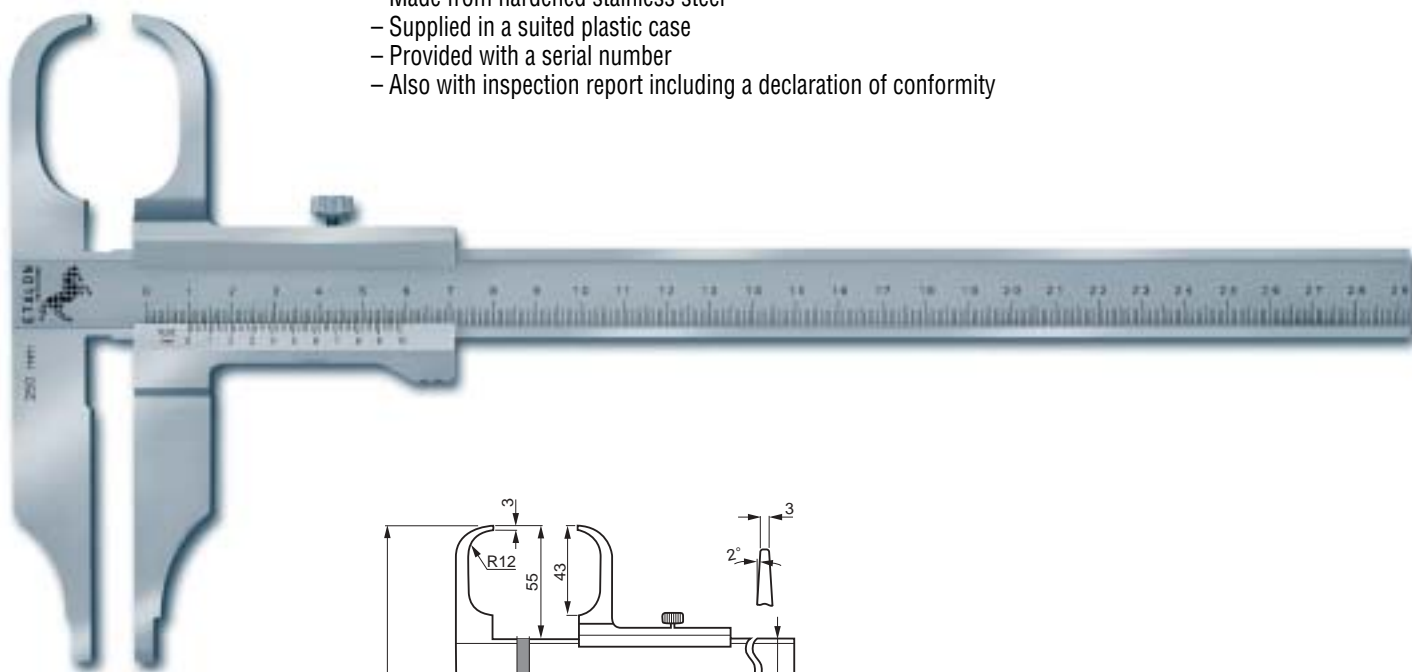
		mm		mm		mm		
						a	b	c
<b>00512291</b>		0 ÷ 500		0,1		30	6	72
<b>00512292</b>		0 ÷ 1000		0,1		30	6	72
<b>00512293</b>		0 ÷ 1500		0,1		40	8	72
<b>00512294</b>		0 ÷ 2000		0,1		40	8	72







# TESA VERNIER CALIPERS

## Models with hook jaws for external dimensions

- Swiss Made
- According to NF E 11-091
- Satin-chrome scale background. Main scale slightly set back for wear protection
- Made from hardened stainless steel
- Supplied in a suited plastic case
- Provided with a serial number
- Also with inspection report including a declaration of conformity



	 mm	 mm	 in	 in
<b>00510911</b>	0 ÷ 250	0,02		
<b>00530911</b>	0 ÷ 250	0,02	0 ÷ 10	0.001
<b>00510912</b>	0 ÷ 250	0,05		

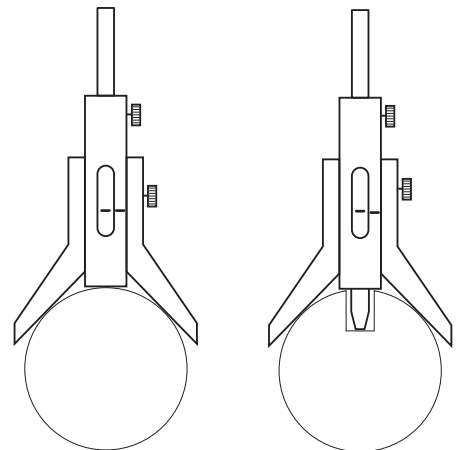
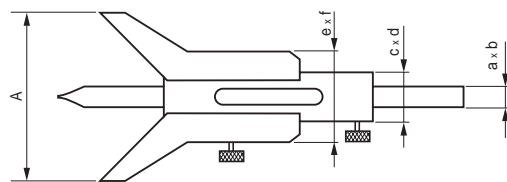
# TESA VERNIER CALIPERS



## Models with vee bridge

Made to measure groove and slot depths on cylindrical shafts

- Swiss Made
- According to NF E 11-091
- Satin-chrome scale background. Main scale slightly set back for wear protection
- Made from hardened stainless steel
- Supplied in a wooden case
- Provided with a serial number
- Also with a declaration of conformity



Model	mm		mm						
	$5 \div 80$	0,05	a	b	c	d	e	f	A
<b>00512015</b>	5 ÷ 80	0,05	8	2	18	5	32	10	60
<b>00512016</b>	6 ÷ 120	0,05	8	2	18	5	34	10	90
<b>00512017</b>	7 ÷ 160	0,05	10	2	21,5	5	42	10	120

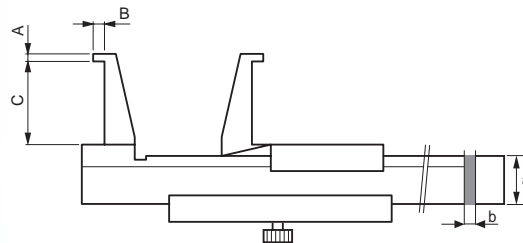


# TESA VERNIER CALIPERS

## Models for grooves

Specially designed for measuring groove or slot diameters, e.g. on safety rings.

- Swiss Made
- According to factory standard
- Satin-chrome scale background. Main scale slightly set back for wear protection.
- Made from hardened stainless steel
- Supplied in a suited plastic case
- Provided with a serial number
- Also with a declaration of conformity



Order number	Measuring range Measuring span	mm	mm	mm		A	B	C
				a	b			
00510371	10 ÷ 160	0,05	16	3	0,9	3	25	
00510375	20 ÷ 160	0,05	16	3	2	5	40	
00510383	26 ÷ 200	0,02	16	3	3	7	60	
00510385	26 ÷ 200	0,05	16	3	3	7	60	
00510387	30 ÷ 250	0,02	20	4	4	8,5	80	
00510391	30 ÷ 250	0,05	20	4	4	8,5	80	
00510393	35 ÷ 300	0,02	20	4	5	10	100	
00510395	35 ÷ 300	0,05	20	4	5	10	100	

## LEXICON OF THE PICTOGRAMS



Order number



Lower vernier



Maximum permissible  
limit deviations



Measuring range  
Measuring span



Upper vernier



Dimensions

**TESA SA**  
 CH-1020 Renens Switzerland  
 Tel. +41(0)21 633 16 00  
 Fax +41(0)21 635 75 35  
 www.tesabs.ch  
 tesainfo@ch.bnsmc.com  
 ISO 9001

HEXAGON METROLOGY

Printed in Switzerland  
 All modification rights reserved  
 0512.116.0509

ISO 9001  
 PRODUCT  
 PRODUKT